

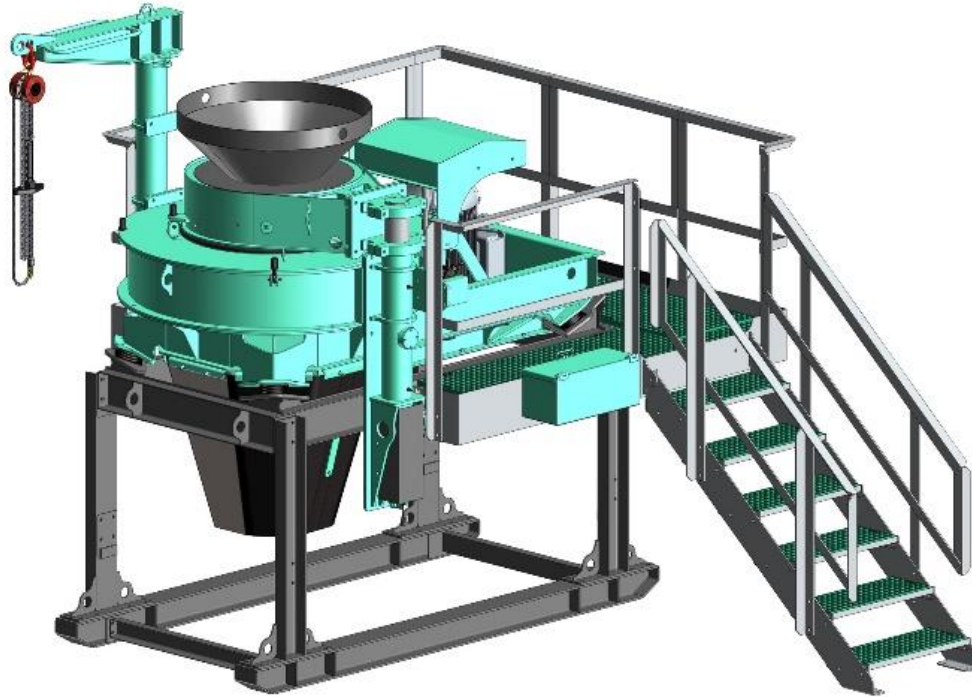
SPECIFICATION SHEET

PILOT CRUSHTEC®

CRUSHING AFRICA'S ROCK

Twister VS100:
Vertical Shaft Impact Crusher

PRODUCT NAME:	VS100 Vertical Shaft Impact Crusher
DOCUMENT NO:	PCS-07-02-95
REV:	00
DATE:	20/02/2020



PRODUCT DESCRIPTION

The Twister VS100 is the latest generation of static VSI crusher from Pilot Crushtec and is a robust and reliable skid mounted vertical shaft impact crusher, for use in tertiary and quaternary crushing applications. It is a versatile crusher, primarily used for producing sand and fines and quality enhancement of aggregate shaping.

The Pilot Modular VS100 complete unit comes standard with skid structure, inclined staircase & walkway with composite material walkway grids and angle iron handrails to meet the highest safety specification and build quality standards. This complete module does not require any civils, simply a level compact surface for installation.

TWISTER VS100 CRUSHER SPECIFICATIONS

MAIN DIMENSIONS OF UNIT DURING CRUSHING OPERATIONS

Length:	4 260 mm
Width:	3 450 mm
Height:	3 240 mm

MAIN DIMENSIONS OF THE UNIT FOR TRANSPORT

Length:	2 950 mm
Width:	1 940 mm
Height:	1 805 mm
Weight:	7 300kg

BASIC MODEL

Includes components which are standard on every Twister VS100 like skid frame, access system, crusher opening mechanism, jib crane, covers and chutes

Skid frame:	Heavy duty support structure
Opening mechanism:	Hydraulic lifting and mechanical of crusher lid for easy access.
Bearings:	Removable heavy-duty bearing cartridge
Jib crane:	Servicing the rotor

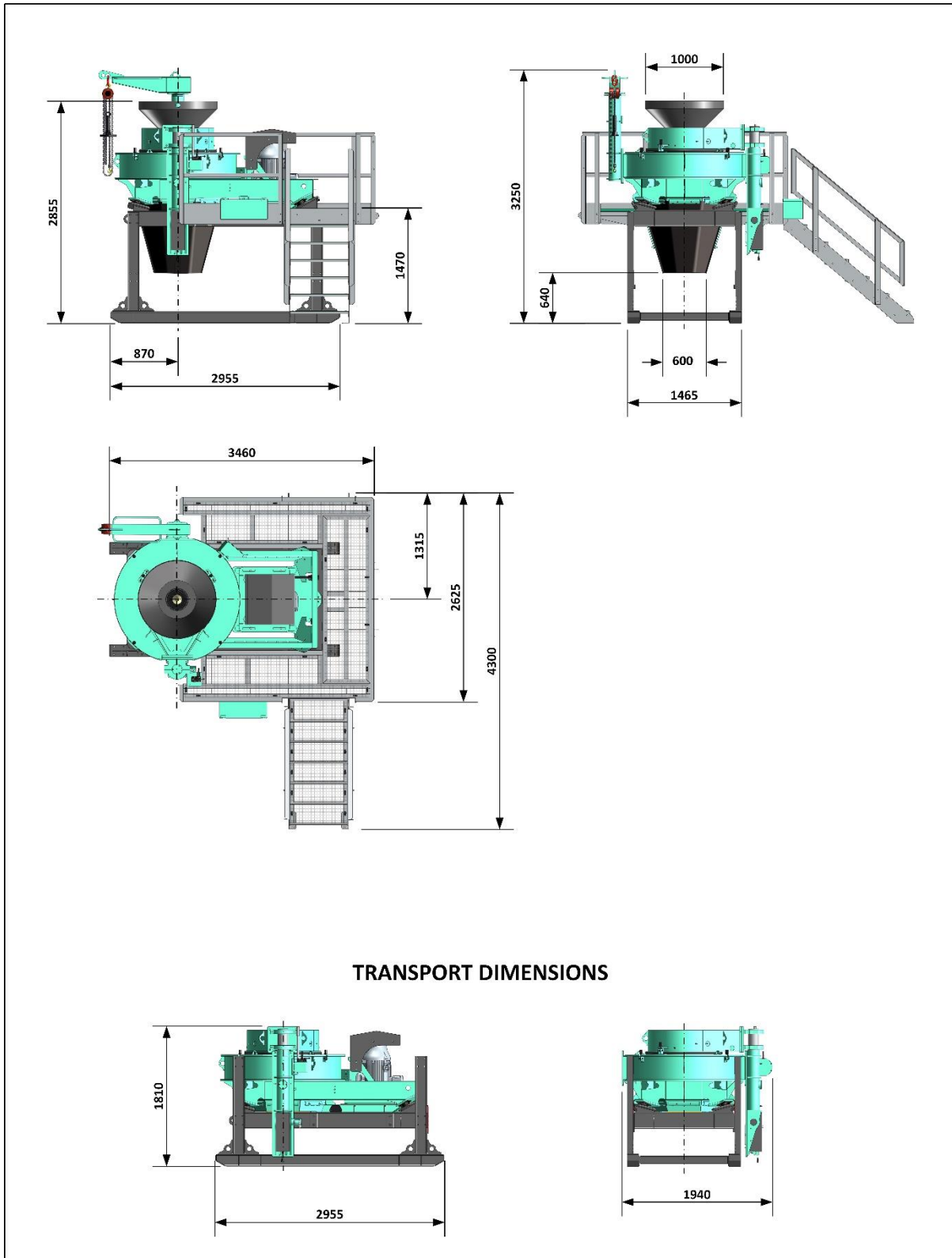
ROTOR AND MOTOR OPTIONS

600 Rotor:	Feed size: 35mm max Rotor speed: 1880rpm or 2230rpm or 2410rpm Motor options: 45kW and 55kW 4Pole Throughput: 10tph to 55tph through the rotor, up to 75tph using cascading system
700 Rotor:	Feed size: 40mm max Rotor speed: 1880rpm or 2000rpm or 2100rpm Motor options: 75kW and 90kW and 110kW 4Pole Throughput: 10tph to 110tph through the rotor, up to 135tph using cascading system

OPTION EQUIPMENT

Anvil ring:	To create more fines
Finishing:	Pilot's standard paint colours. Safety labels and stickers conform either to ISO or ANSI standard depending on destination

WORKING DIMENSIONS



www.pilotcrushtec.com | sales@pilotcrushtec.com | +27 (11) 842 5600

All reasonable steps have been taken to ensure the accuracy of the publication, however, due to Pilot Crushtec International's policy of continual product development, we reserve the right to make changes in specifications shown herein or improvements at any time without notice or obligation. All capacities and feed sizes are provided as an application aid only. No warranties are expressed or implied.