

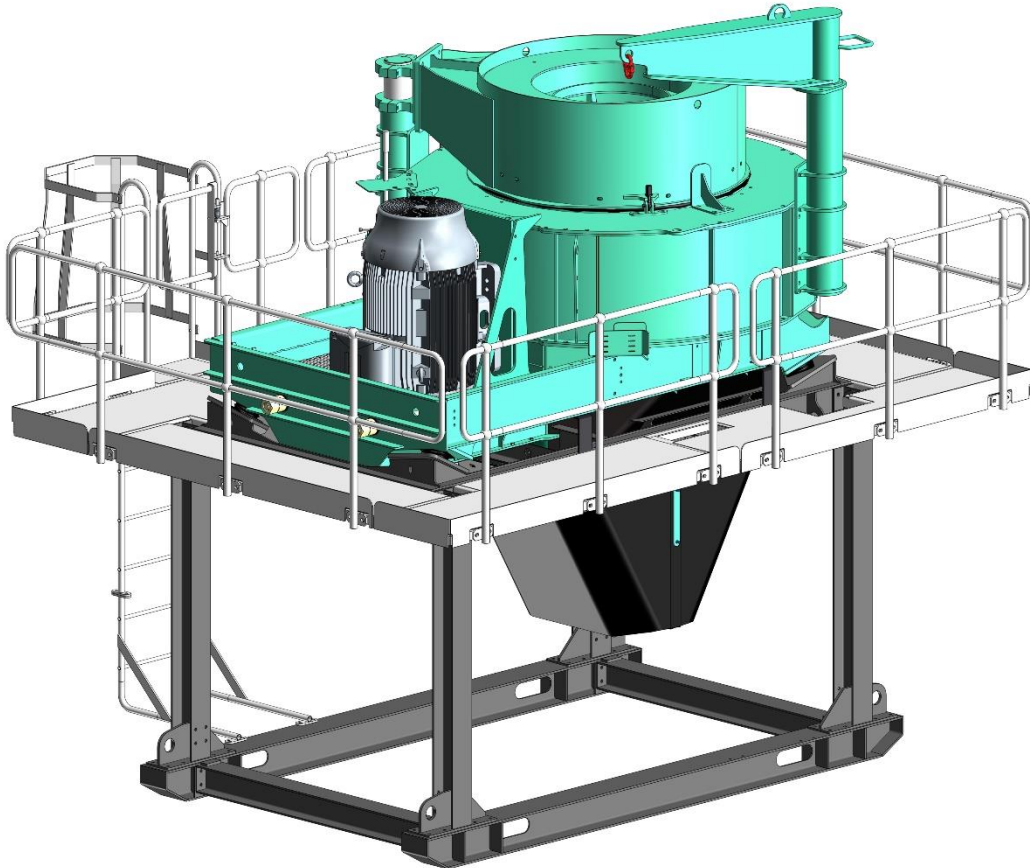
SPECIFICATION SHEET

PILOT CRUSHTEC®

CRUSHING AFRICA'S ROCK

Pilot Modular: Twister VS350 VSI Crusher

PRODUCT NAME:	Pilot Modular Twister VS350
DOCUMENT NO:	PCS-07-02-69
REV:	01
DATE:	09/06/2020



PROVEN
PERFORMANCE



HEAVY DUTY DESIGN



EASE OF MAINTENANCE



LOW OPERATING
COSTS

PRODUCT DESCRIPTION

The Twister VS350 is a skid mounted vertical shaft impact crusher for use in tertiary and quaternary crushing applications. It is a versatile crusher primarily used for producing sand and fines and quality enhancement of aggregates.

The Twister VS350 is the largest static VSI in the range and is designed to crush a wide range of rocks and minerals using rock-on-rock or rock-on-steel crushing principles to create perfectly shaped end-products.

This tried and tested crusher is manufactured to the highest standards and is designed to handle the harshest conditions and toughest rock with low wear and maintenance costs.

VERTICAL SHAFT IMPACT CRUSHER

Rotor Options:	MR10 Three port rotor, SP09 Six Port and RS10 Open Table rotor
Maximum Feed size:	Three port - Up to 50mm (material passing 40mm square mesh) Six port - Up to 60mm (material passing 45mm square mesh) Open table - Up to 120mm (material passing 75mm square mesh)
Rotor Speed:	Three port rotor - 1250rpm to 1650rpm Six port rotor - 1250rpm to 1650rpm Open table rotor, 900rpm
Power Requirement:	160kW to 315kW, 380V, 4P Electric motor
Capacity:	Up to 300tph through the rotor, up to 400tph using cascading system
Bearings:	Removable heavy-duty bearing cartridge
Bearing Lubrication:	Centralised greasing point for crusher bearings
Dust Suppression:	Dust retention and re-circulating system
Maintenance	Hydraulic lifting and mechanical rotation of crusher lid for easy access

SKID FRAME

Frame:	Heavy-duty support structure
Accessories:	Access ladder, handrails and safety guards, crusher inspection platform, jib crane for servicing the rotor

TOOLS

Rotor:	Rotor balancing kit and tools for basic servicing functions on the machine
--------	--

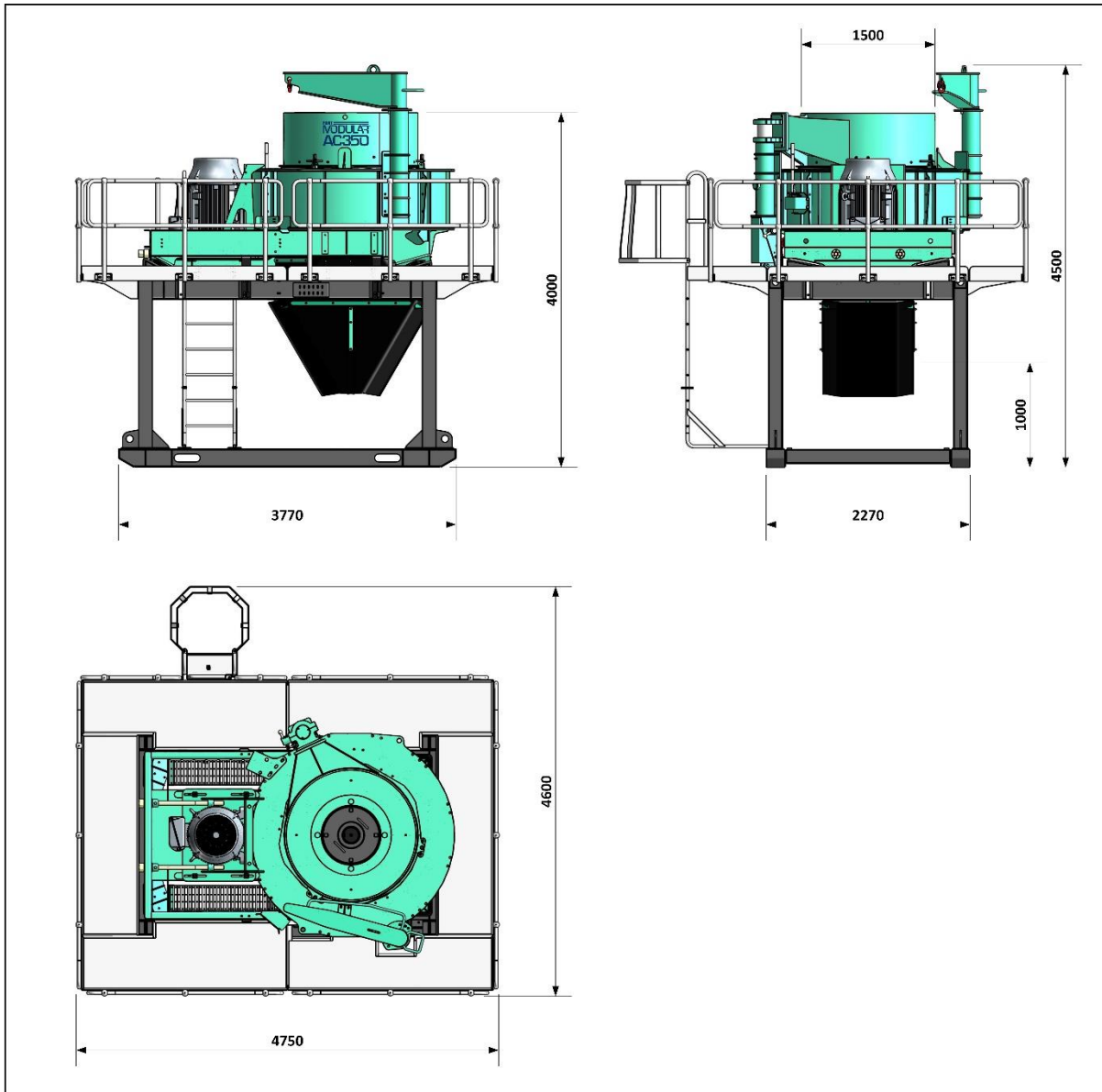
OPTIONS

	Automatic crusher bearing lubrication system
--	--

ESTIMATED WEIGHT

Total:	12,500kg
--------	----------

WORKING DIMENSIONS



www.pilotcrushtec.com | sales@pilotcrushtec.com | +27 (11) 842 5600

All reasonable steps have been taken to ensure the accuracy of the publication, however, due to Pilot Crushtec International's policy of continual product development, we reserve the right to make changes in specifications shown herein or improvements at any time without notice or obligation. All capacities and feed sizes are provided as an application aid only. No warranties are expressed or implied.